

# Datenblatt Datasheet

## Aussenantenne Outdoor Antenna

### Cellular

## MCA 2190 BASE

Erz.-Nr. / Ord. code

### 602 383-001

- Antenne mit Haltevorrichtung zur stationären Mast- und Wandmontage im Aussenbereich
- *Outdoor antenna with bracket for fix mast and wall mount*



Änderungen vorbehalten / *Subject to alterations*

### Technische Daten / *Technical data*

Abmessungen / <i>Dimensions</i>	approx.	154 x 134 x 46 mm
Gewicht / <i>Weight</i>	approx.	400 g / 14.11 oz.
Gehäuse- und Radommaterial / <i>Housing and Radome Materials</i>		RAL 7035 Light Grey thermoplastic UV-beständig / <i>UV Stabilized</i>
Windlast / <i>Wind Load</i> (Resistance)		40 N at 150 Km/h, max. 180 Km/h
Wind-Wirkfläche / <i>Wind Surface</i>		0.02 m <sup>2</sup>
Mast / <i>Mounting Mast</i>		Ø 25 – 42 mm
Temperaturbereich / <i>Temperature range</i>		-20 – +80° C
Schutzklasse / <i>Protection class</i>		IP64 (acc. IEC 60529)
<b>Cellular</b>		
Frequenzbereich / <i>Frequency range</i>	GSM 900: GSM 1800: GSM 1900: UMTS:	880 – 960 MHz 1710 – 1880 MHz 1850 – 1990 MHz 1900 – 2170 MHz
Impedanz / <i>Impedance</i>		50 Ohm
Polarisation / <i>Polarization</i>		linear vertikal / <i>linear vertical</i>
Gewinn / <i>Gain</i>		9 dBi at all bands
3dB Öffnungswinkel vertikal / <i>3dB Beamwidth Vertical</i>		E-plane 75° at 920 MHz; 75° at 1795 MHz; 65° at 1920 MHz; 60° at 2045 MHz
3dB Öffnungswinkel horizontal / <i>3dB Beamwidth Horizontal</i>		H-plane 70° at 920 MHz; 60° at 1795 MHz; 60° at 1920 MHz; 60° at 2045 MHz
Vor-Rück-Verhältnis / <i>Front to back ratio</i>		>= 20 dB in bandwidth
Blitzschutz / <i>Lightning protection</i>		DC-ground
Anpassung / <i>Return loss</i> (VSWR)		≤ 1,8 (880 – 960 MHz) ≤ 1,5 (1710 – 2170 MHz)
Strahlertyp / <i>Radiator Type</i>		Dipol Panel Reflector
Richtneigung / <i>Downtilt</i>		0°
Belastbarkeit / <i>Load capacity</i>	max.	20 W (CW) at 50 °C
Kabeltyp / <i>Connector type</i>		RG 58, LOW LOSS
Kabellänge / <i>Cable length</i>		5000 mm
Anschluss / <i>Connector</i>		FME female

# Datenblatt Datasheet

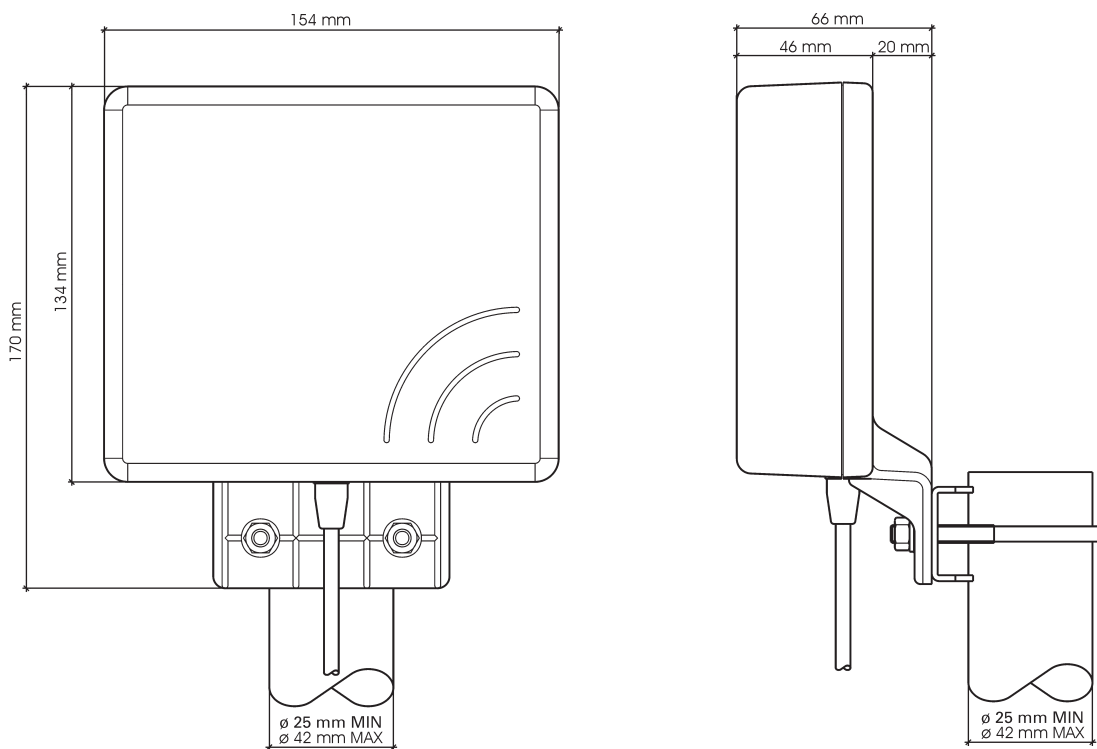
## MCA 2190 BASE

Erz.-Nr. / Ord. code

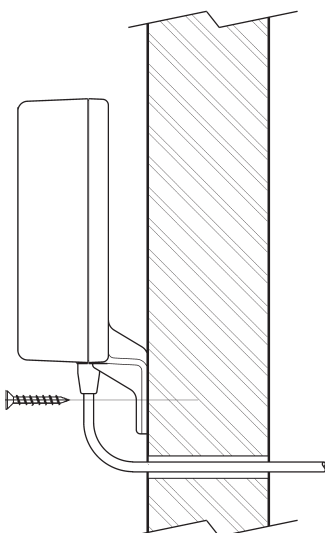
**602 383-001**

Änderungen vorbehalten / *Subject to alterations*

### Technische Zeichnungen Technical drawings



### Montage / Installation



# Datenblatt Datasheet

## MCA 2190 BASE

Erz.-Nr. / Ord. code

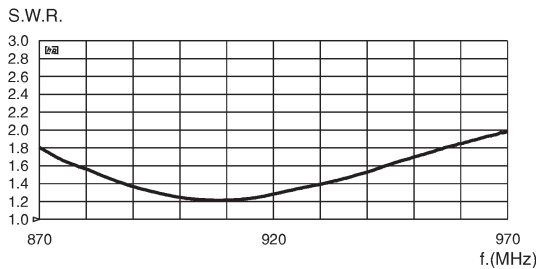
**602 383-001**

Änderungen vorbehalten / *Subject to alterations*

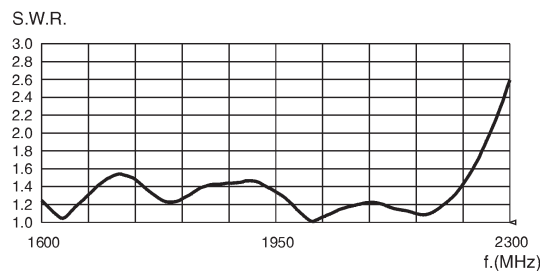
### Antennendiagramme *Antenna diagrams*

Typisches VSWR/*Typical VSWR*

TYPICAL S.W.R. RESPONSE

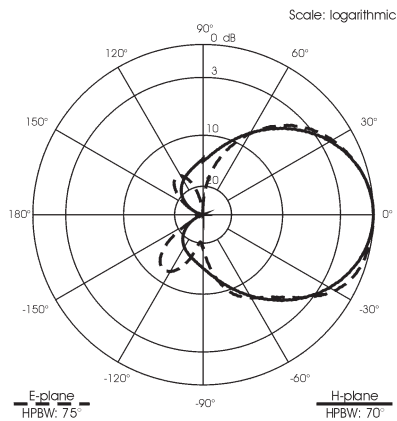


TYPICAL S.W.R. RESPONSE

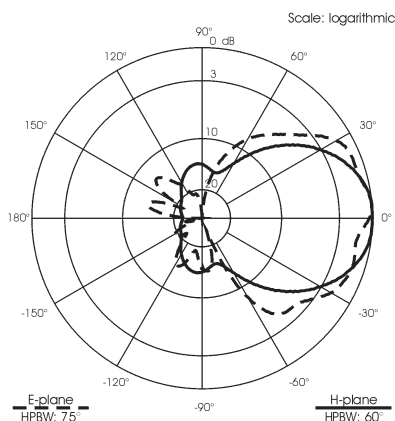


Typisches Strahlungsdiagramm (H-Ebene)  
*Typical radiation pattern (H-plane)*

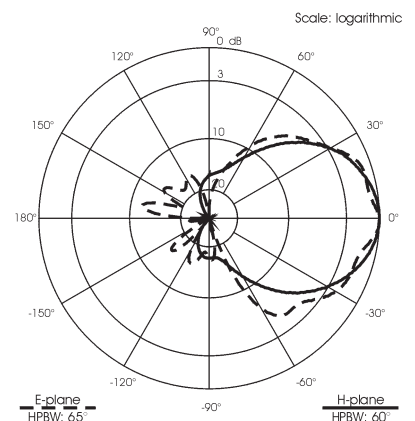
TYPICAL RADIATION PATTERN at 920 MHz



TYPICAL RADIATION PATTERN at 1795 MHz



TYPICAL RADIATION PATTERN at 1920 MHz



TYPICAL RADIATION PATTERN at 2045 MHz

